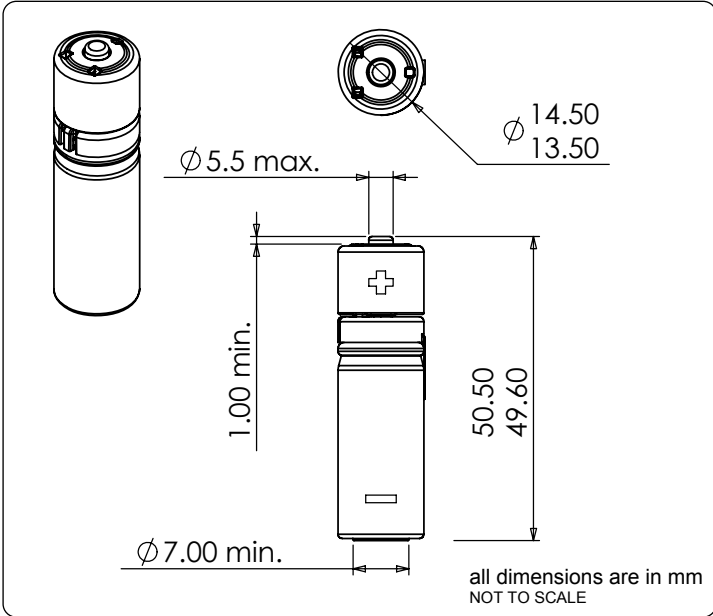


**PRODUCT DATASHEET
 USBCELL MXAA02-1**



AA/R6 Standard Dimensions



Specifications

Designation: AA or R6
Chemical System: Sealed Nickel-Metal Hydride (NiMH)
Typical Weight: 22 grams

Operating and Storage Temperature Limits:
 Charge: 0°C to 40°C Storage: -20°C to 35°C
 Discharge: -10°C to 40°C Humidity: 65±20%

- Operating batteries outside these temperature ranges may reduce cycle life.
- NiMH cells will lose charge over time when stored.

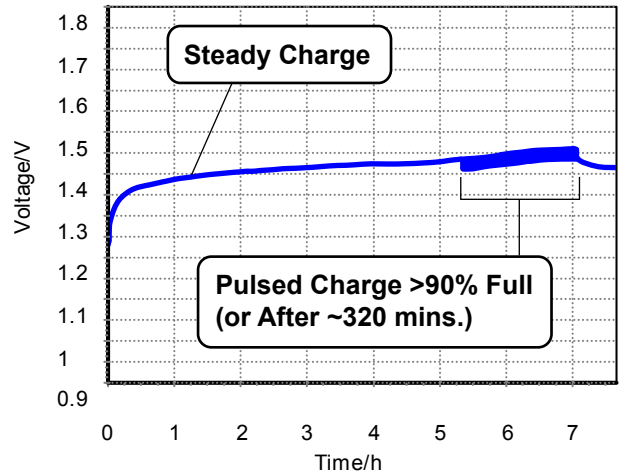
Nominal Voltage: 1.2 Volts
Typical Capacity: 1300 mAh
Recommended Charge: 250mA
Typical Internal Impedance: <35 milliohms @ 1kHz

General:
 The USBCELL should never be used in a situation likely to cause a hazard; For Safety/Warning information please refer to back of packet.

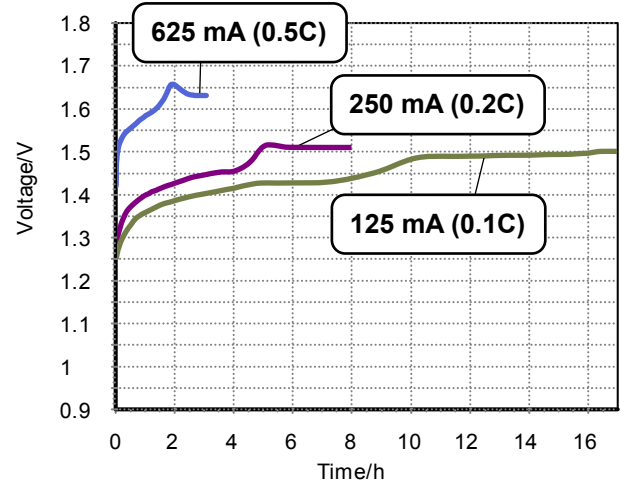
For recycling instructions see usbcell.com/recycle

The sealed Ni-MH battery component which powers the USBCELL complies with UL 2054, BBET2 category.

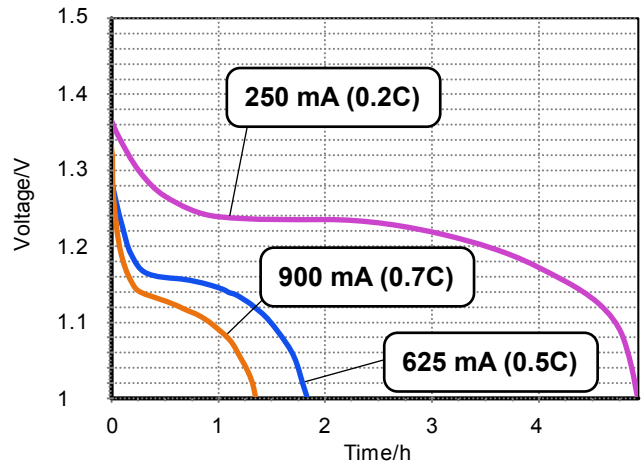
Typical Charge via USB:



Typical Charge Characteristics:



Typical Discharge Characteristics:



IMPORTANT NOTICE

For Safety/Warning information please refer to back of packet.

This data sheet presents information specific to batteries manufactured at the time of its publication.

The contents do not constitute a warranty.

©Moixa Energy Ltd. - All Rights Reserved